

WALL MOUNTED PRESSURISATION UNITS for LTHW and CHILLED WATER SYSTEMS



- **Whisper quiet operation***
- **Digital electronic control module**
- **Common alarm volt-free contract**
- **Unique pump over-ride facility**
- **Pressure transducer controlled**
- **Break tank with AB air gap (CAT 5)**

WallPress WHISPER™ Range
Peace of mind

SMEDEGARD
PUMPING TECHNOLOGY

WallPress WHISPER™ Range

Smedegaard WallPress Pressurisation units represent a breakthrough in pressurisation equipment, offering either a single or twin pumped package that is Whisper quiet* in operation. WallPress WHISPER™ are top up units and the MONO™ range can be utilised as a fill unit, both are compact, robust and have premium build quality at exceptional value.

WHISPER™

Single pump, maximum delivery pressure 4 bar. Suitable for LTHW and Chilled systems up to 180kW.

WHISPER DUO™

Twin pump, maximum delivery pressure 4 bar. Suitable for LTHW and Chilled systems up to 180kW

WHISPER MONO™

Single pump operation, available in 3 and 6 bar versions. Suitable for LTHW and Chilled.

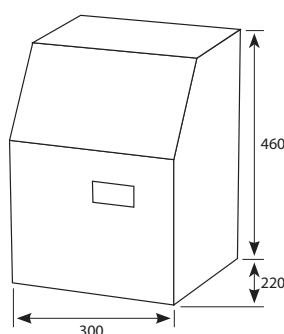
Smedegaard's extensive range of standard air charge type heating and chilled water expansion vessels vary in size from 5 to 3000 litres. Contact Smedegaard or refer to the Expansion Vessels data sheet for more information.

WallPress models are designed for use with Smedegaard Expansion vessels to provide a minimum system pressure requirement.

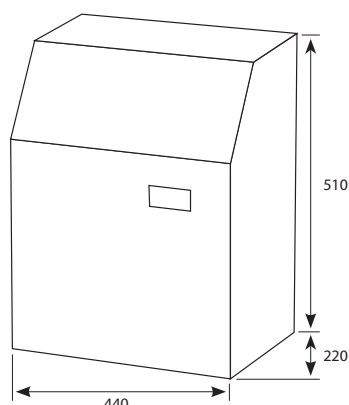
A Digital PCB Control Module is provided as standard, with system diagnostics, high and low pressure monitoring and volt-free contact for boiler/chiller interlock.

Features of the WHISPER™

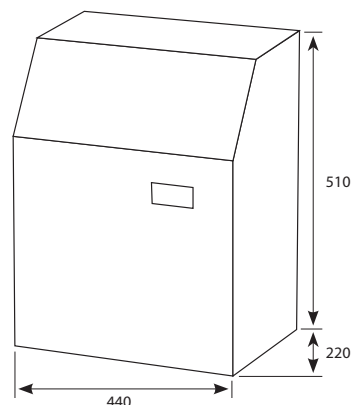
- Whisper quiet operation*
- Digital electronic control module
- Pressure transducer controlled
- Neon on/off operation switch
- Common alarm volt-free contact
- Control module error logging
- Unique pump over-ride facility
- Break tank with AB air gap (CAT 5)
- All wetted parts non-ferrous
- Suitable for cold fill pressures of:
WallPress WHISPER™: up to 4 bar
WallPress MONO™: up to 3 or 6 bar
- Continuously rated motors:
WallPress WHISPER™: 20 Watt
WallPress MONO™: 0.60 kW



WHISPER™



WHISPER DUO™



WHISPER MONO™

Electrical Data, Dimensions and Weights

Model	Dimensions (mm)			Net Weight Dry (kg)	Motor (kW)	Full Load Current (Amps)	Connection Size Inlet/Outlet
	Width	Depth	Height				
WallPress WHISPER™	300	220	460	13	20W	0.20	1/2 inch BSPM
WallPress WHISPER DUO™	440	220	510	18	20W	0.20	1/2 inch BSPM
WallPress MONO™	440	220	510	19	0.6	2.5	1/2 inch BSPM

* WHISPER™ and WHISPER DUO™

SMEDEGAARD
PUMPING TECHNOLOGY

It is Smedegaard's policy to continually improve and develop its product range. We reserve the right to change specifications without prior notice. Whilst every care has been taken to ensure the data is correct, no responsibility can be taken for inaccuracies or misprints.