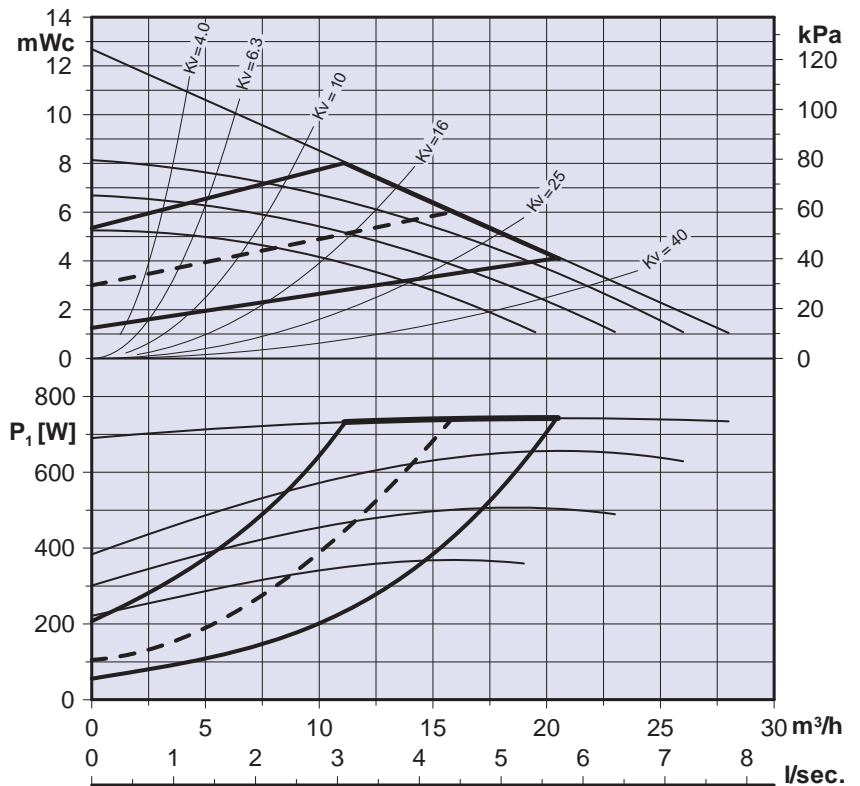
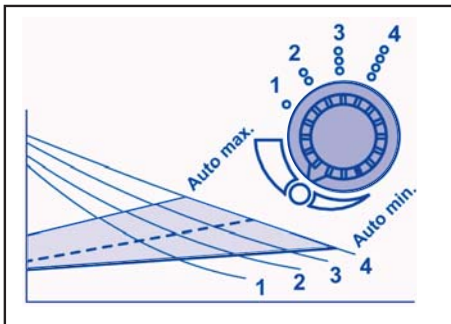


Ix230 V, 50Hz, IEC38	PI[W]	I[A]
Auto min.	50	0,35
Auto max.	750	3,50
Speed 1-4	475-750	1,75-3,50

TF 110 - CEN 335 - 2 - 5I	+15°C	+110°C
Temperature Range		
Water temp. max. [°C]	110	90
Ambient temp. max. [°C]	30	40
NPSH (bar)	80°C - 0,4	95°C - 1,2
Kg (netto)	34,14	



Model C = Heating / Heizung / Varme
 Model CD = Twin Pump / Doppelpumpe

Electrical connection

