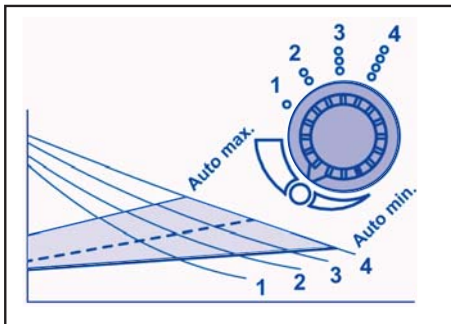
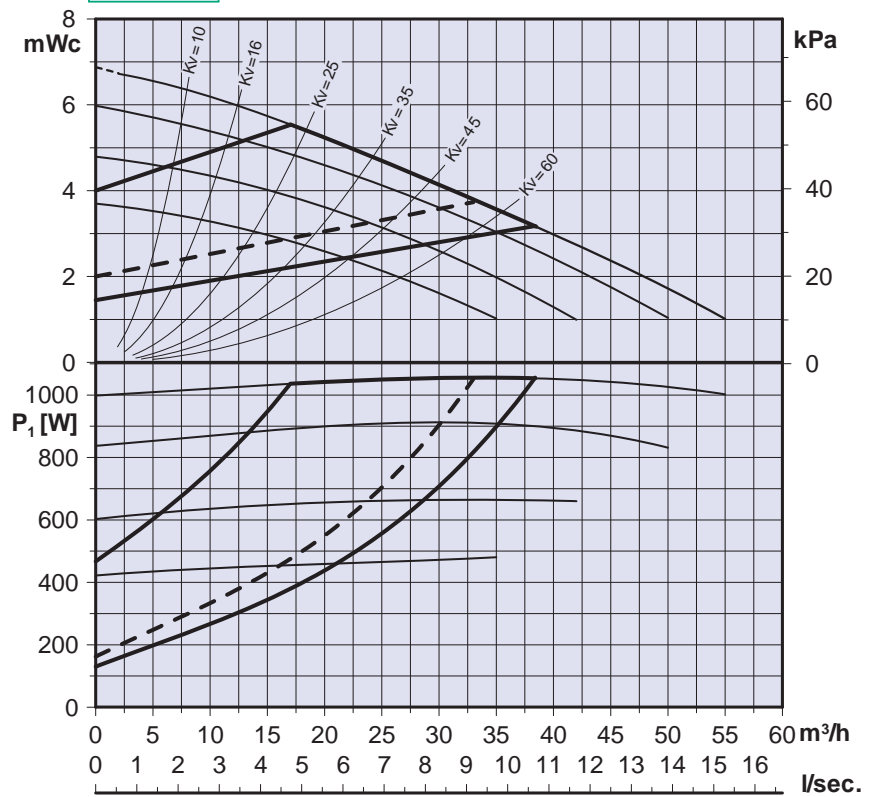


1x230 V, 50Hz, IEC38	PI[W]	I[A]
Auto min.	120	1,20
Auto max.	1080	8,00
Speed I-4	460-1080	3,60-8,00

TF 110 - CEN 335 - 2 - 5I	+15°C	+110°C
Temperature Range		
Water temp. max. [°C]	110	90
Ambient temp. max. [°C]	30	40
NPSH (bar)	80°C - 0,8	95°C - 1,5
Kg (netto)	41,5	



Model C = Heating / Heizung / Varme  
 Model CD = Twin Pump / Doppelpumpe

### Electrical connection

