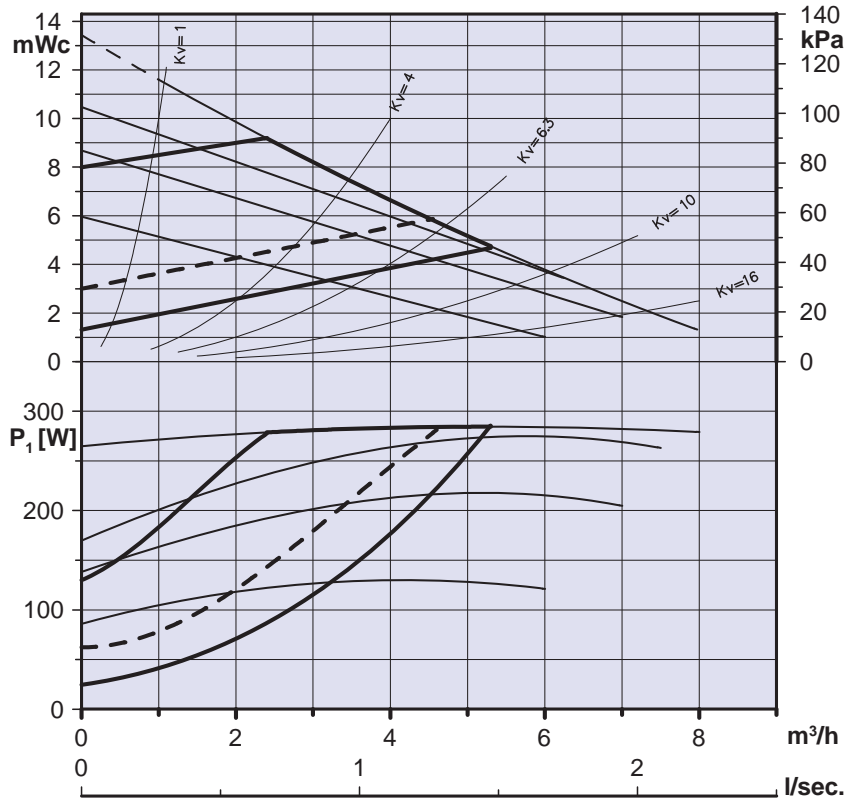
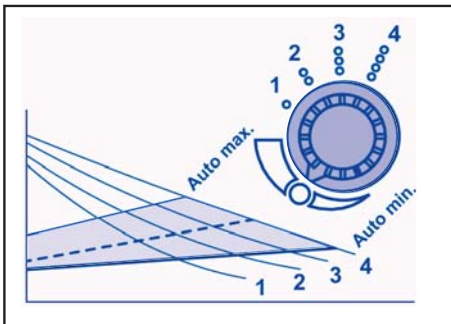


Ix230 V, 50Hz, IEC38	PI [W]	I [A]
Auto min.	35	0,30
Auto max.	290	1,75
Speed I-4	125-290	0,85-1,75

TF 110 - CEN 335 - 2 - 5I	+15°C	+110°C
Temperature Range		
Cold water model	-5°C	90°C
Water temp. max. [°C]	110	90
Ambient temp. max. [°C]	30	40
NPSH (bar)	80°C - 0,5	95°C - 1,5
Kg (netto)	8,6	



Model C = Heating / Heizung / Varme
 Model Z = Casing / Gehäuse / Pumpehus (Bronze)
 Model CD = Twin Pump / Doppelpumpe

Electrical connection

