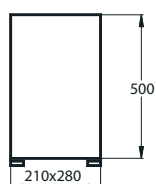
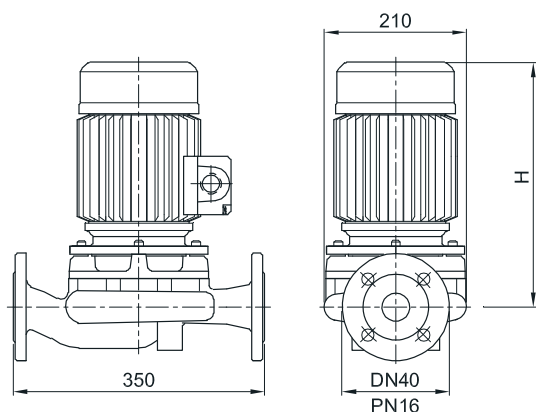


# Omega™

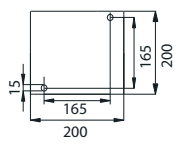
Glanded pumps.  
Tørløber pumper.  
Trockenläufer Pumpen.

## In-line DN 40

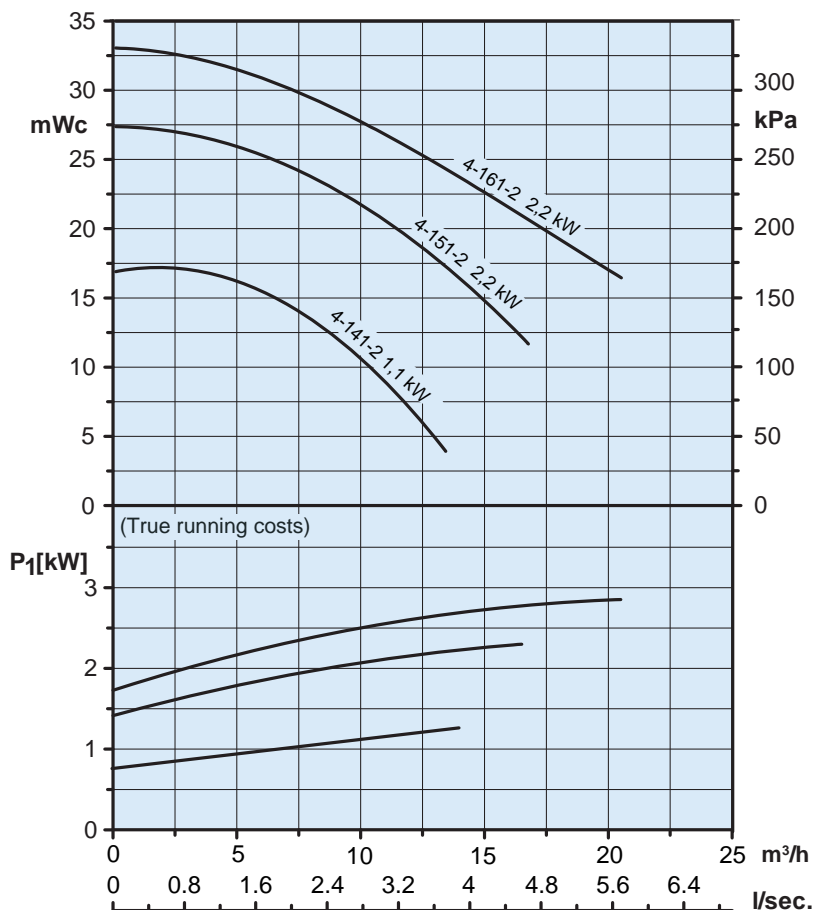
Omega 4-161-2



Pedestal 76 kg.  
(incl. concrete)



Foot



Type.	Kg Single	H (mm)	Motor P <sub>2</sub> (kW)	I <sub>n</sub> (A) (50Hz) <span style="background-color: #e0e0e0;">■</span> standard			Cos φ	n(min <sup>-1</sup> )	dB(A)	η <sub>m</sub> (%) <span style="background-color: #e0e0e0;">■</span> standard.		
				1x230V	3x400/230V	3x690/400V				eff 1	eff 2	eff 3
Omega 4-141-2	29	319	1,1		4,3/2,5		-	2800	52		77	73
Omega 4-151-2	34	344	2,2		8,2/4,7		-	2800	53	85	80	
Omega 4-161-2	34	344	2,2		8,2/4,7		-	2800	53	85	80	

IEC 38 +/- 10%, 50 Hz, IP 55

This model is also available as an Omega-Drive - a selfregulating pump with integral inverter and optional differential pressure transducer.  
Denne model fås også som Omega-Drive - en selvregulerende pumpe med integreret frekvensomformer med eller uden monteret differenstryk-transmitter.  
Dieses Model ist auch als Omega-Drive lieferbar - eine selbtsregulierende Pumpe mit integriertem Umrichter, mit montiertem oder ohne Differenzdruckschalter.

*Smedegaard reserve the right to change the product without prior notice and take no responsibility for inaccuracies or misprints.*