



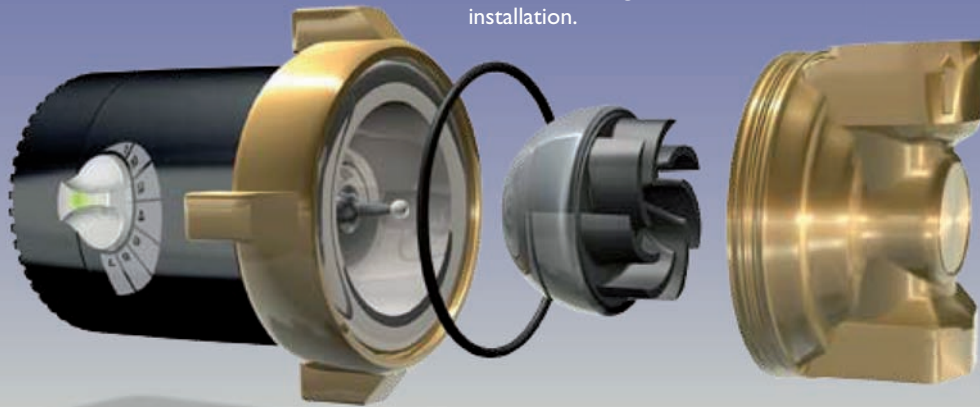
EcoWatt (U)

Energy friendly H.W.S circulator

Extremely low energy consumption from 3 to 9 Watt. Models available, with and without timer. Can be adjusted to desired duty. Extremely quiet due to small tolerances in the self adjusting bearings. Easy mounting and electrical connection. Easy replacement of motor head. Short port to port dimension, fits everywhere - 1/2" connection. Thermal overload built into the motor and external protection not required. Separate check valve included.

Application

The EcoWatt circulating pumps are designed for use in D.H.W.S. systems, to circulate the hot water. The pump is mounted in the circulation circuit to ensure hot water is always available at the point of use. The EcoWatt can also be used as circulator in smaller heating installations, floor heating, heat pump and solar heating installations as well as cold water installation.



Model	Part Number	BSPF	Length (mm)	Check Valve	Timer	Connections
EcoWatt	920.1286.251	RP 1/2"	65	Included	✗	AV 1/2" x 1/2"
EcoWatt U	920.1286.252				✓	

Technical Information

1x230 V, 50Hz, IEC38

Motor type:	Permanent Magnet Motor
Energy Consumption	3-9 Watt
Max Pressure	10 Bar
Temperature	- 10 °C to + 110 °C
IP Rating	IP44/F

EcoWatt



EcoWatt U



Smedegaard Pumps Ltd.
United Kingdom
Tel: +44 (0) 1278 458 686
Fax: +44 (0) 1278 452 454
info@smedegaard.co.uk
www.smedegaard.co.uk

T. Smedegaard A/S
Denmark
Tel: (+45) 43 96 10 28.
Fax: (+45) 43 63 17 66
info@smedegaard.dk
www.smedegaard.dk

SMEDEGAARD
Pumping Technology

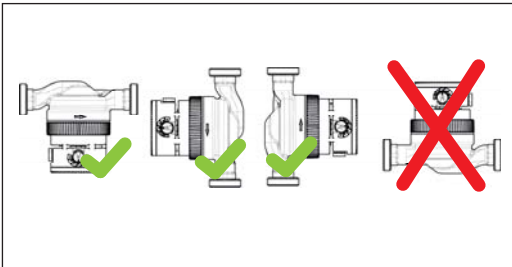
EcoWatt (U)

1x230 V, 50Hz, IEC38	PI [W]
Auto min.	3
Auto max.	9

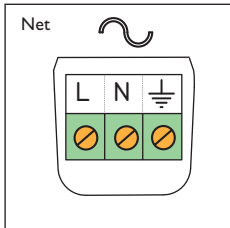
TFI 10 CEN 335 - 2 - 51		
Water Temp. Range	-10°C	110°C
Kg. (net)	1,0	

Dimensions	A	B	C	DN
EcoWatt	-	-	-	15
EcoWatt U	110	163	150	15

Installation



Electrical Connection



Timer

