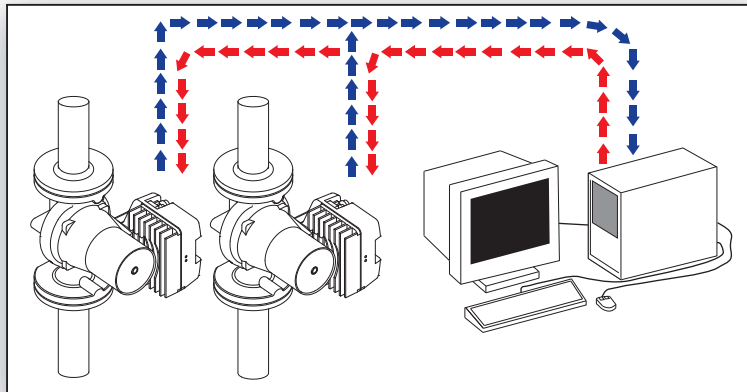


MODBUS INTERFACE for SIMFLEX ENERGY A RANGE



- Fully Compatible with the Smedegaard SimFlex A Rated Pumps
- Monitoring/Control of up to 31 Pumps
- Detailed Fault Detection
- External Stop/Start
- Allows Switching to Manual Control

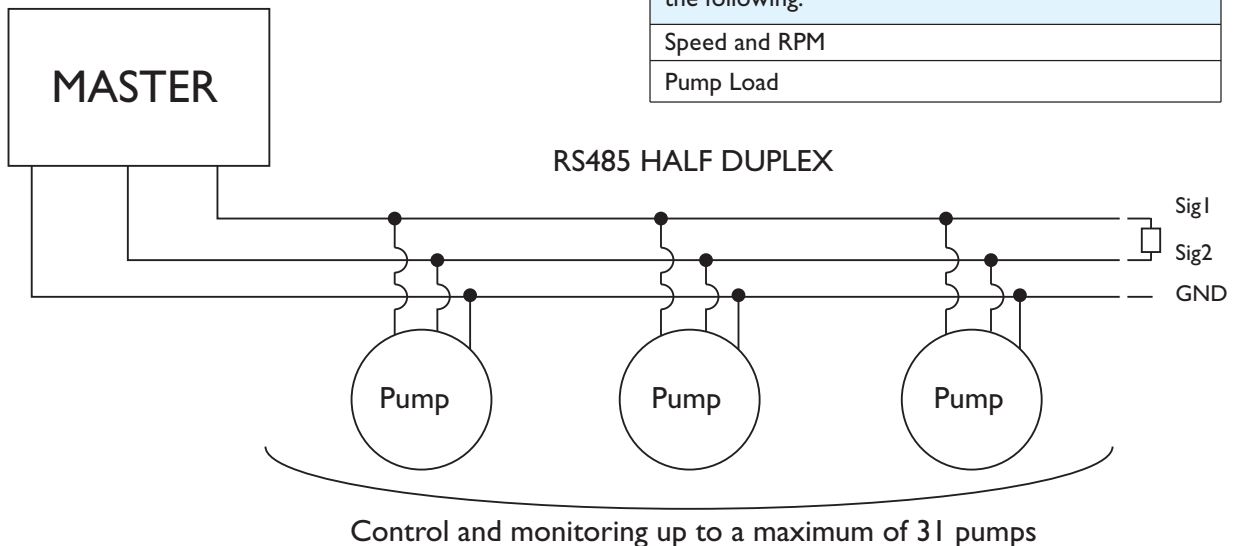
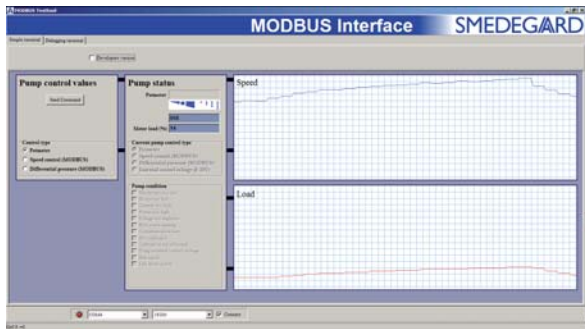
MODBUS Interface for SimFlex A

Smedegaard is proud to offer, the industry standard MODBUS interface for use with the new range of Simflex energy A pumps. The interface enables you to control and monitor the pumps at all times. The control and monitoring can be accomplished, either by using a MODBUS master or by using a dedicated BMS system, SCADA system, general purpose PLC or PC.

The MODBUS interface supports the control of differential pressure, speed control or can force a switch back to manual/external control via the usual interfaces that are supplied with the SimFlex energy A range of pumps. Additionally, the MODBUS interface has a detailed error detection facility.

Minimum requirements:

Microsoft Windows XP Professional
 USB 2.0 Port
 1 GB RAM
 USB to RS485 adaptor



Setup features through MODBUS.

You can switch between modes with the MODBUS Interface.

Differential Pressure	●
Speed	●
External Run Mode	●
Manual Run Mode	●
Setpoint	●

Pump Condition.

The MODBUS Interface will monitor the following:

Electronic temperature
Motor temperature
Current
Power
Voltage
Motor Block
Using external control voltage
Run signal
Control Mode
General Feedback
Alarm/Warning Information
Pump Load
Speed and RPM

Pump Condition.

The MODBUS Interface will report the following:

Speed and RPM
Pump Load

It is Smedegaard's policy to continually improve and develop its product range. We reserve the right to change specifications without prior notice. Whilst every care has been taken to ensure the data is correct, no responsibility can be taken for inaccuracies or misprints.

SMEDEGARD
 Pumping Technology

Smedegaard Pumps Ltd
 United Kingdom
 Tel. +44 (0)1278 458 686
 Fax +44 (0)1278 452 454
 info@smedegaard.co.uk
 www.smedegaard.co.uk

T. Smedegaard A/S
 Denmark
 Tel. +45 43 96 10 28
 Fax +45 43 63 17 66
 info@smedegaard.dk
 www.smedegaard.dk