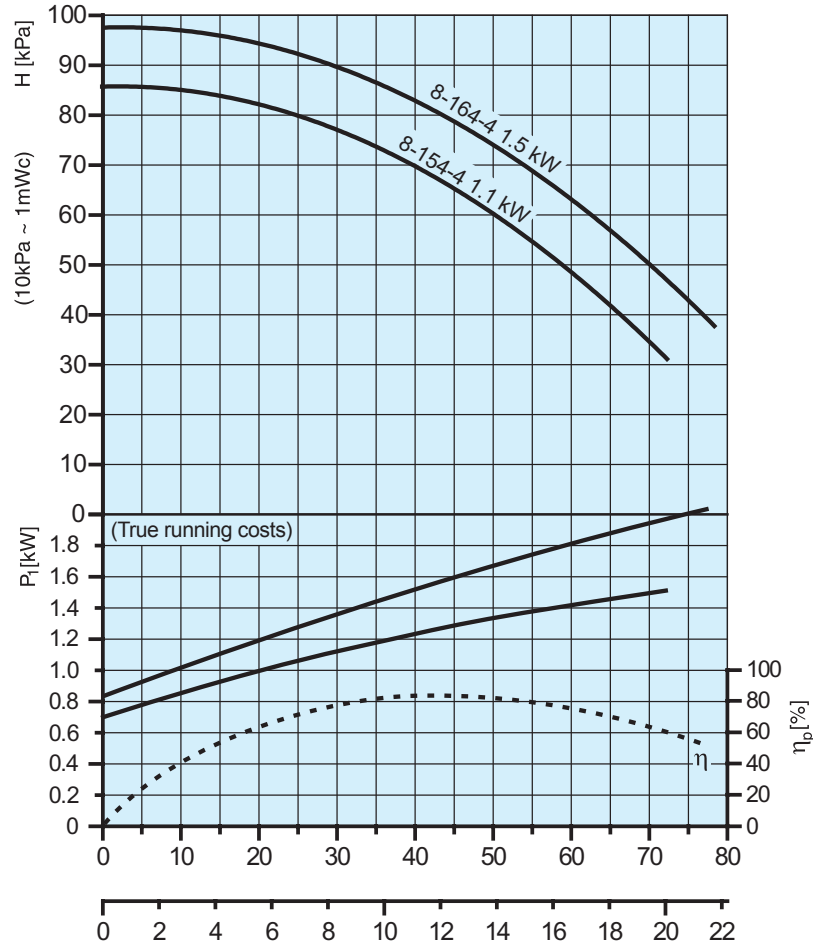
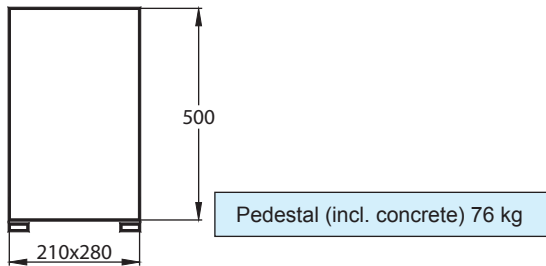
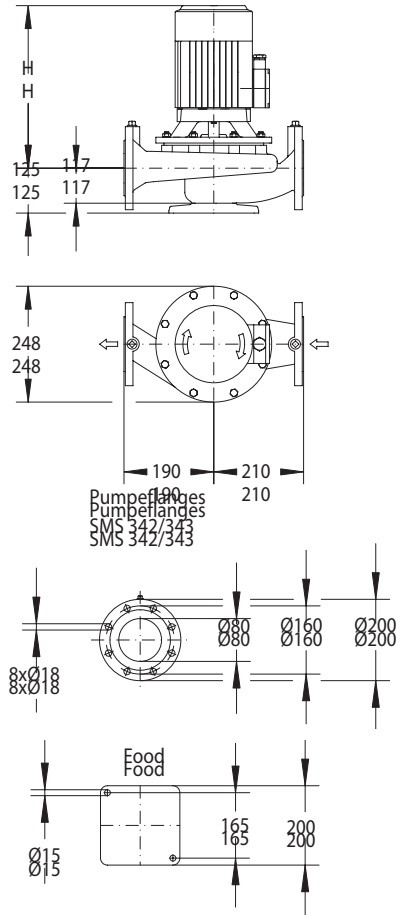


Omega™

Glanded pumps.
Tørløber pumper.
Trockenläufer Pumpen.

In-line DN 80

Omega 8-164-4



P_i :

True running costs
Optagen effekt
Leistungsaufname

$$P_3 = Q \times H = \eta_p \times P_2$$

$$P_2 = \eta_m P_1$$

| | | |
|------------|-----|-----|
| Power (kW) | 1,1 | 1,5 |
| H (mm) | 380 | 384 |

| Type | Kg | | Motor P_2 (kW) | I_n (A) (50Hz) ■ standard | | | Cos ϕ | n (min ⁻¹) | dB(A) | η_m % ■ standard | | |
|---------------|--------|------|---------------------|---|------------|------------|------------|--------------------------|-------|---|-------|-------|
| | Single | Twin | | 1x230V | 3x400/230V | 3x690/400V | | | | eff 1 | eff 2 | eff 3 |
| Omega 8-154-4 | 45 | | 1,1 | - | 2,7/4,7 | - | 0,82 | 1390 | 53 | | 74 | |
| Omega 8-164-4 | 48 | | 1,5 | - | 3,5/6,1 | - | 0,82 | 1405 | 52 | | 75 | |

IEC 38 +/- 10%, 50 Hz, IP55

This model is also available as an Omega-Drive - a selfregulating pump with integral inverter and optional differential pressure transducer.
Denne model fås også som Omega-Drive - en selvregulerende pumpe med integreret frekvensomformer med eller uden monteret differensstryk-transmitter.
Dieses Model ist auch als Omega-Drive lieferbar - eine selbstregulierende Pumpe mit integriertem Umrichter, mit montiertem oder ohne Differenzdruckschalter.

Smedegaard reserve the right to change the product without prior notice and take no responsibility for inaccuracies or misprints.