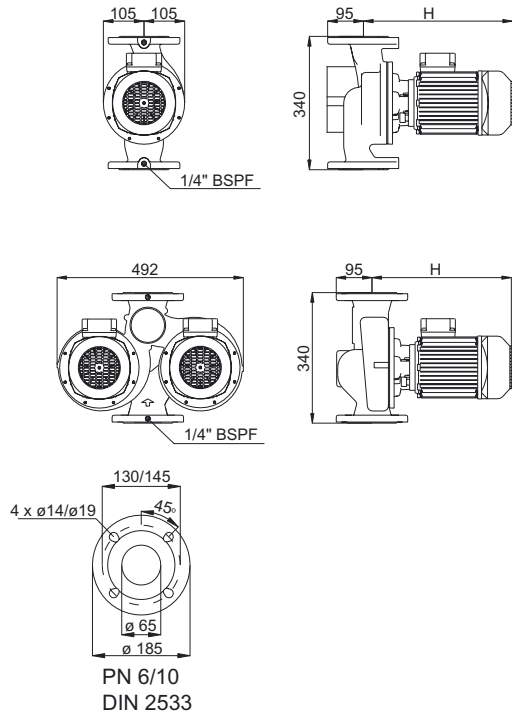


Omega™

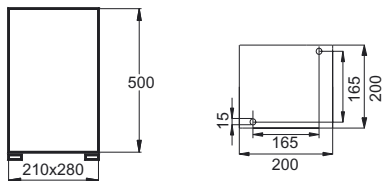
Glanded pumps.
Tørløber pumper.
Trockenläufer Pumpen.

In-line DN 65

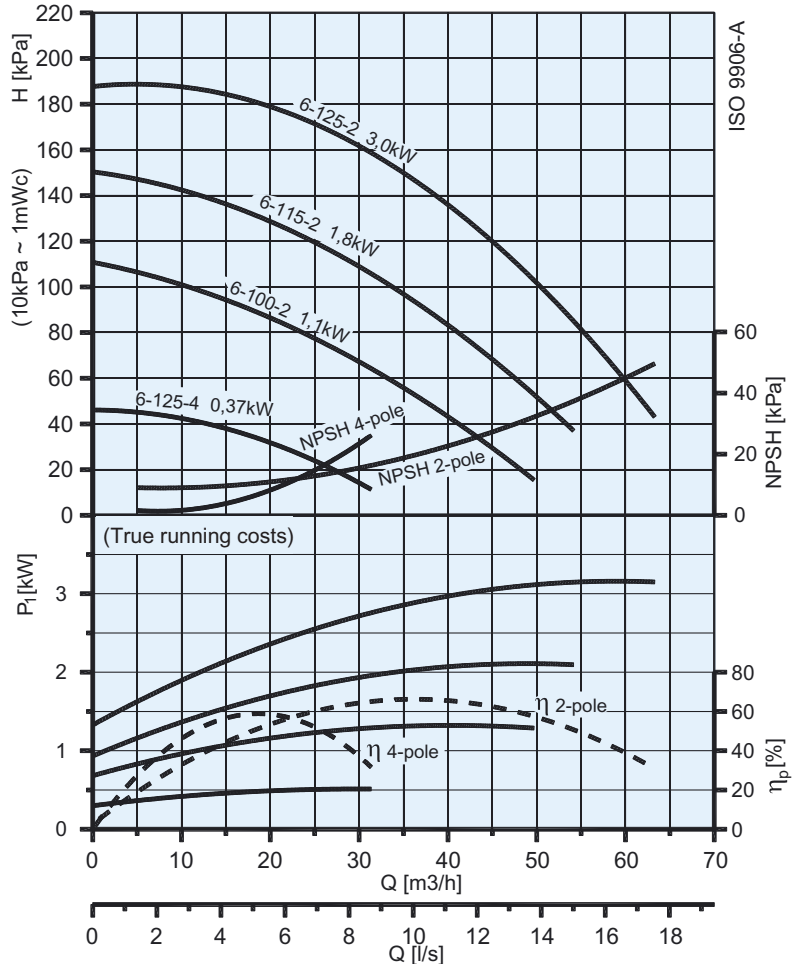
Omega 6-125-2 (D)(Z)
Omega 6-125-4 (D)(Z)



Foot: Single + twin model



Pedestal 76 kg.
(incl. concrete)



P_1 :
True running costs
Optagen effekt
Leistungsaufname

$$P_3 = Q \times H = \eta_p \times P_2$$

$$P_2 = \eta_m \times P_1$$

Power(kW)	0,37	1,1	1,8	3,0	
H	Single	314	324	359	384
	Twin	283	293	328	353

Type.	Kg		Motor P_2 (kW)	In (A) (50Hz) standard			Cos ϕ	n(min ⁻¹)	dB(A)	η_m (%) standard.		
	Single	Twin		1x230V	3x400/230V	3x690/400V				eff 1	eff 2	eff 3
Omega 6-125-4 (D)(Z)	25,5	46	0,37	-	1,25/2,15	-	0,72	1350	36	72	-	-
Omega 6-125-4 (D)(Z)	25,5	46	0,37	3,20	-	-	0,92	1300	36	-	61	56
Omega 6-100-2 (D)(Z)	28	50,5	1,1	-	2,70/4,70	-	0,83	2790	52	84	78	-
Omega 6-100-2 (D)(Z)	28	50,5	1,1	6,9	-	-	0,98	2780	52	-	77	73
Omega 6-115-2 (D)(Z)	30,5	56	1,8	-	4,0/6,95	-	0,88	2800	53	85	80	-
Omega 6-125-2 (D)(Z)	39	64	3	-	6,5/11,25	-	0,86	2810	53	88	-	79

D = Twin pump Z = Bronze pump Bronze = +4,5kg

IEC 38 +/- 10%, 50 Hz, IP 55

This model is also available as an Omega-Drive - a selfregulating pump with integral inverter and optional differential pressure transducer. Denne model fås også som Omega-Drive - en selvregulerende pumpe med integreret frekvensomformer med eller uden monteret differensstryk-transmitter. Dieses Model ist auch als Omega-Drive lieferbar - eine selbstregulierende Pumpe mit integriertem Umrichter, mit montiertem oder ohne Differenzdruckschalter.

Smedegaard reserve the right to change the product without prior notice and take no responsibility for inaccuracies or misprints.