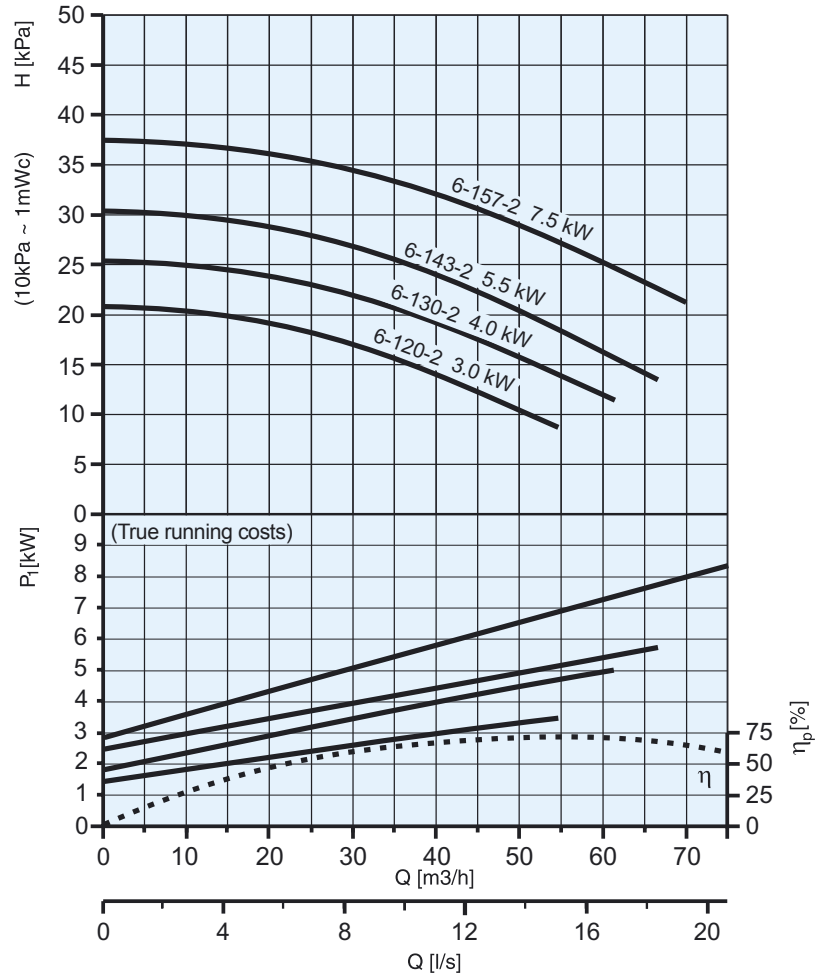
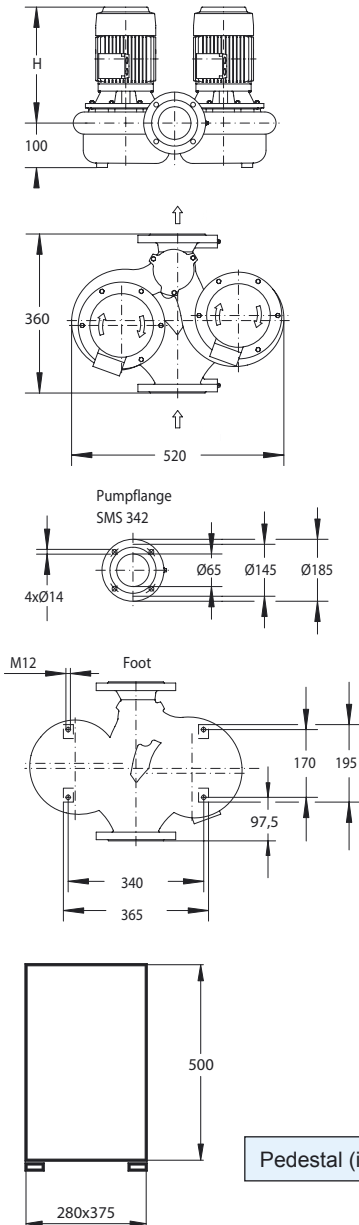


Omega™

Glanded pumps.
Tørløber pumper.
Trockenläufer Pumpen.

In-line DN 65
Omega 6-157-2D



P_1 :
True running costs
Optagen effekt
Leistungsaufname

$P_3 = Q \times H = \eta_p \times P_2$ $P_2 = \eta_m \times P_1$

Power (kW)	3.0	4.0	5.5	7.5
H (mm)	402	450	506	506

Type	Kg		Motor P_2 (kW)	I_n (A) (50Hz) standard			Cos φ	n (min ⁻¹)	dB(A)	η_m % standard		
	Single	Twin		1x230V	3x400/230V	3x690/400V				eff 1	eff 2	eff 3
Omega 6-120-2D	-	88	3.0	-	6.2/10.7	-	0,89	2850	61	80,0		
Omega 6-130-2D	-	102	4.0	-	7.9/13.5	-	0,89	2850	62	85,0		
Omega 6-143-2D	-	132	5.5	-	-	6.0/10.5	0,89	2845	63	85,0		
Omega 6-157-2D	-	144	7.5	-	-	8.4/14.5	0,89	2845	65	85,5		

D = Twin pump

IEC 38 +/- 10%, 50 Hz, IP55

This model is also available as an Omega-Drive - a selfregulating pump with integral inverter and optional differential pressure transducer. Denne model fås også som Omega-Drive - en selvregulerende pumpe med integreret frekvensomformer med eller uden monteret differensstryk-transmitter. Dieses Model ist auch als Omega-Drive lieferbar - eine selbstregulierende Pumpe mit integriertem Umrichter, mit montiertem oder ohne Differenzdruckschalter.

Smedegaard reserve the right to change the product without prior notice and take no responsibility for inaccuracies or misprints.