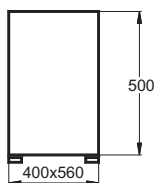
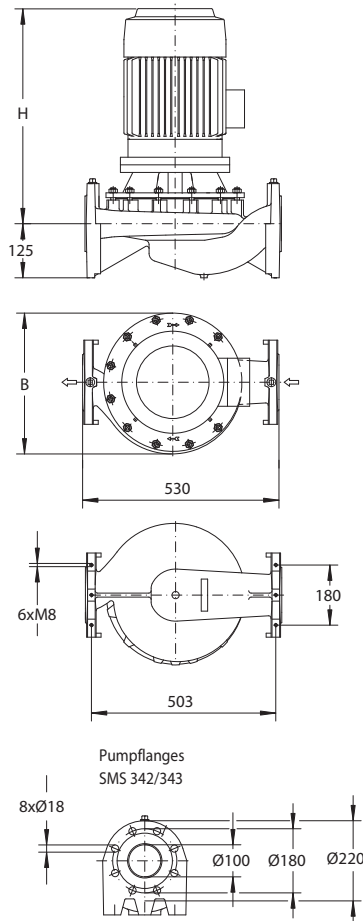


Omega™

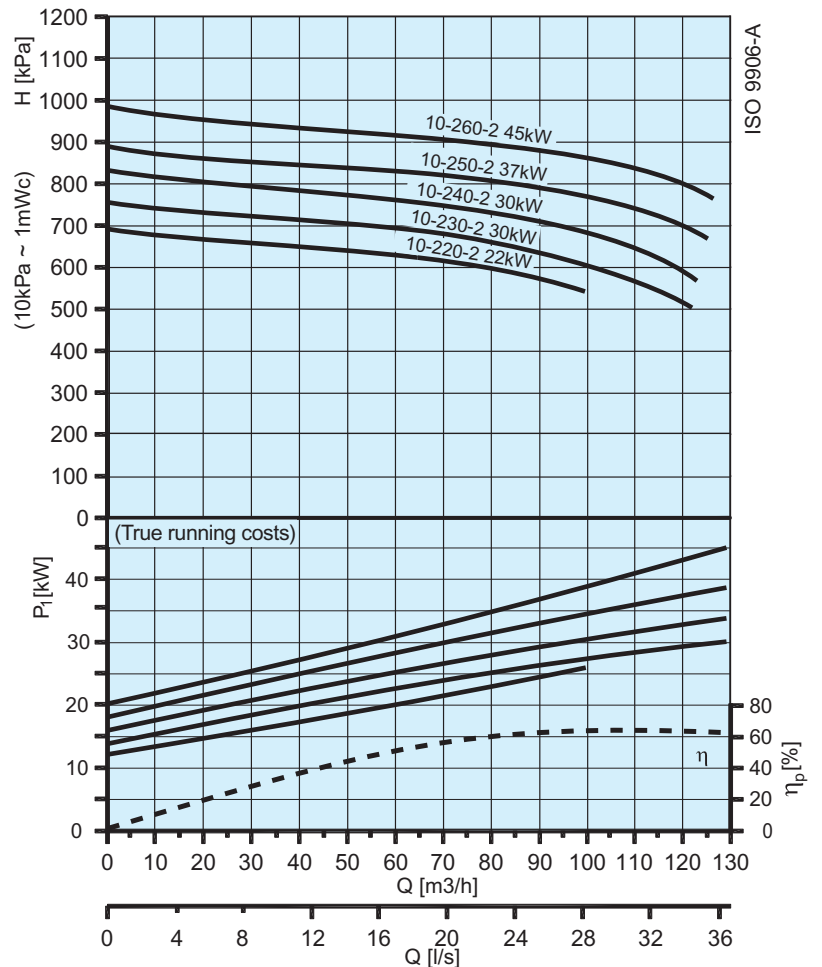
Glanded pumps.
Tørløber pumper.
Trockenläufer Pumpen.

In-line DN 100

Omega 10-260-2



Pitestal (incl. concrete) 373 kg



P_1 :

True running costs

Optagen effekt

Leistungsaufnahme

$$P_3 = Q \times H = \eta_p \times P_2$$

$$P_2 = \eta_m \times P_1$$

Power (kW)	22	30	37	45
H (mm)	792	832	892	890
B (mm)	365	420	420	485

Type	Kg		Motor P_2 (kW)	I_n (A) (50Hz) standard			Cos	n (min ⁻¹)	dB(A)	η_m % standard		
	Single	Twin		1x230V	3x400/230V	3x690/400V				eff 1	eff 2	eff 3
Omega 10-220-2	248	-	22.0	-	40,5/70,0	23,4/40,5	0,88	2920	80		89,4	
Omega 10-230-2	334	-	30.0	-	52,5/91,5	30,3/52,5	0,88	2960	81		93,0	
Omega 10-240-2	334	-	30.0	-	52,5/91,5	30,3/52,5	0,88	2960	81		93,0	
Omega 10-250-2	369	-	37.0	-	64,0/111,0	37,0/64,0	0,89	2960	82		93,8	
Omega 10-260-2	510	-	45.0	-	84,0/147,0	48,5/84,0	0,89	2970	83		94,5	

IEC 38 +/- 10%, 50 Hz, IP 55

This model is also available as an Omega-Drive - a selfregulating pump with integral inverter and optional differential pressure transducer. Denne model fås også som Omega-Drive - en selvregulerende pumpe med integreret frekvensomformer med eller uden monteret differensstryk-transmitter. Dieses Model ist auch als Omega-Drive lieferbar - eine selbstregulierende Pumpe mit integriertem Umrichter, mit montiertem oder ohne Differenzdruckschalter.

Smedegaard reserve the right to change the product without prior notice and take no responsibility for inaccuracies or misprints.